

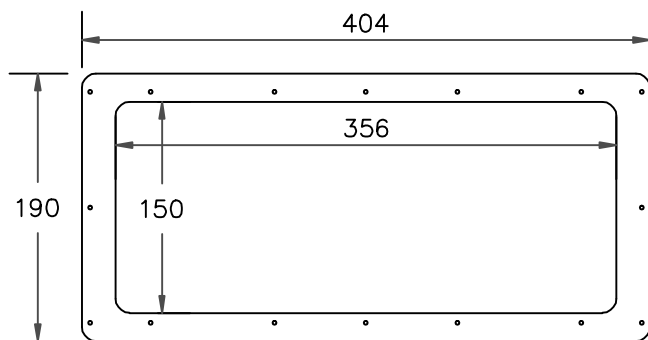
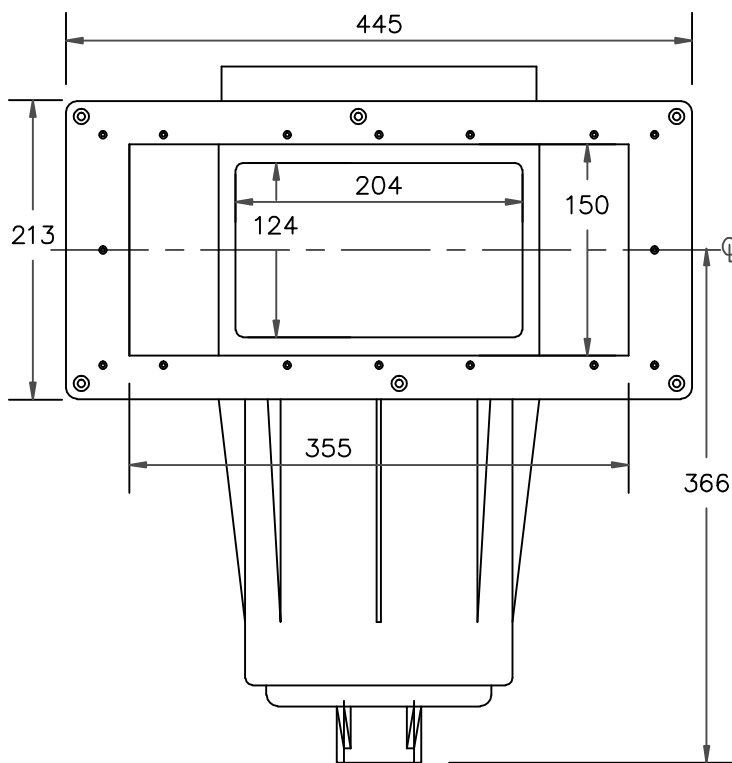
**Certikin**  
International Ltd

WITAN PARK, AVENUE 2, STATION LANE INDUSTRIAL ESTATE, WITNEY, OXFORDSHIRE, OX28 6FJ, ENGLAND

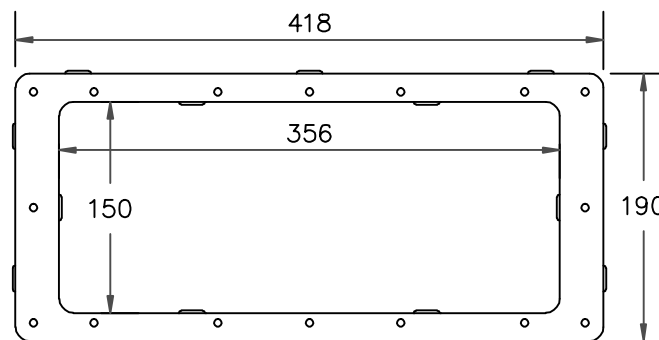
Tel: +44 (0)1993 777200  
Fax: +44 (0)1993 778620

Title: COMPLETE SKIMMER & WIDE ANGLE EXTENSION THROAT (LINER)  
DWG - 1/2

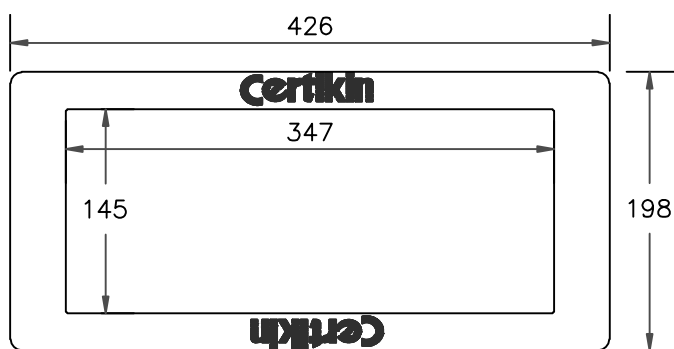
Drawn by:	Name	Date
	M.L	08/12/11
Scale:	This drawing is the property of Certikin International Ltd. As such the copyright is protected and copies can only be obtained by prior permission of Certikin International Ltd.	
1:5@A4		
PRODUCT CODE	Rev.	
HD1001	*	



GASKET



LINER PLATE ADAPTOR  
(PT NO. HD101-3)



FRONT FINISHING PLATE  
(PT NO. HD 101-3/1)

**Certikin**  
international ltd

WITAN PARK, AVENUE 2, STATION  
LANE INDUSTRIAL ESTATE, WITNEY,  
OXFORDSHIRE, OX28 6FJ, ENGLAND

Tel: +44 (0)1993 777200  
Fax: +44 (0)1993 778620

Title: COMPLETE SKIMMER & WIDE ANGLE  
EXTENSION THROAT (LINER)  
DWG - 2/2

Drawn by:	Name <b>M.L</b>	Date <b>08/12/11</b>
Scale: <b>1:50@A4</b>	This drawing is the property of Certikin International Ltd. As such the copyright is protected and copies can only be obtained by prior permission of Certikin International Ltd.	
PRODUCT CODE <b>HD1001</b>	Rev. *	